

870-880 MHz

Features:

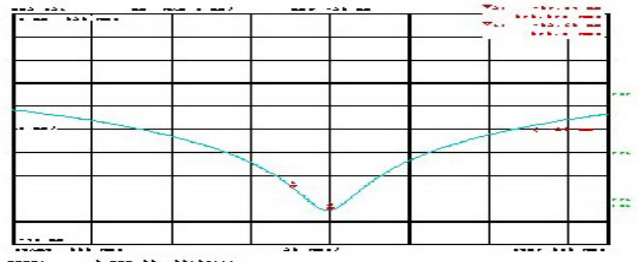
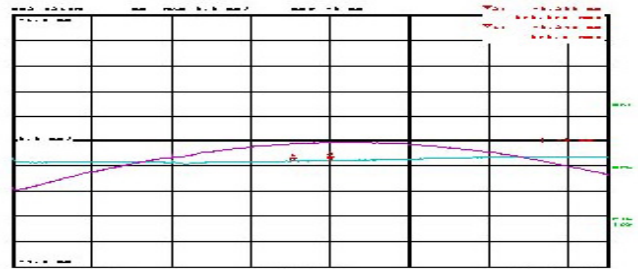
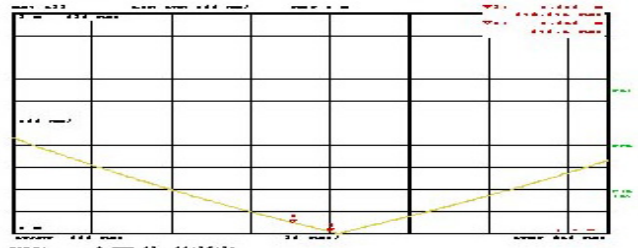
- Cavity Linear Aluminum Board Design
- Quadrature Input for High Power Signal Combining
- Very Small Insertion Loss and High Isolation
- Good Amplitude and Phase Accuracy
- Continuous Wave Handling Power of 450W
- Good Price-Performance Ratio and Quick Delivery

Technical Specifications:

Frequency	870-880 MHz
Insertion Loss	0.3dB
Input VSWR	1.15
Output VSWR	1.15
Isolation	20dB
Amplitude Balance	$\pm 0.15\text{dB}$
Phase Balance	2°
Forward Power	450W

Order Information:

CMIPC-201 All N Female Connector
Please contact manufacturer for all other requirements.



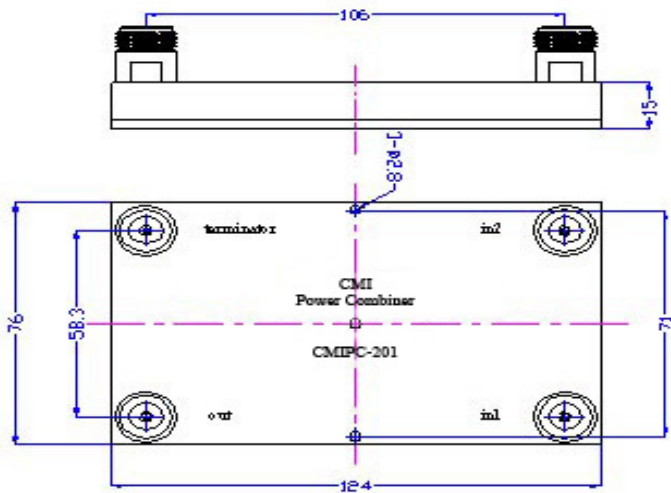
CALL OUR SALES DEPARTMENT FOR MORE INFORMATION OR VARIATIONS OF THIS PRODUCT.

Corry Micronics, Inc. One Plastics Rd. - Corry, PA 16407
(814) 664-7728 Fax (814) 664-4582 www.cormic.com

Corry Micronics Inc. herein referred to CMI, believes this information to be accurate, but makes no warranties, expressed or implied as to the accuracy of this document. CMI assumes no liability for any injury, loss, damage, direct or consequential arising from the use of our products. User assumes all risk whatsoever in connection with it's intended use. CMI also reserves the right to change this document without notice.

Notes:

In is the input port; out is the output port;
Terminator port connecting with 50Ω load.



CALL OUR SALES DEPARTMENT FOR MORE INFORMATION OR VARIATIONS OF THIS PRODUCT.

**Corry Micronics, Inc. One Plastics Rd. - Corry, PA 16407
(814) 664-7728 Fax (814) 664-4582 www.cormic.com**

Corry Micronics Inc. herein referred to CMI, believes this information to be accurate, but makes no warranties, expressed or implied as to the accuracy of this document. CMI assumes no liability for any injury, loss, damage, direct or consequential arising from the use of our products. User assumes all risk whatsoever in connection with it's intended use. CMI also reserves the right to change this document without notice.

935-960 MHz

Features:

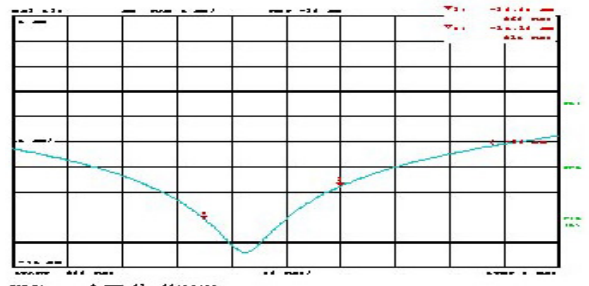
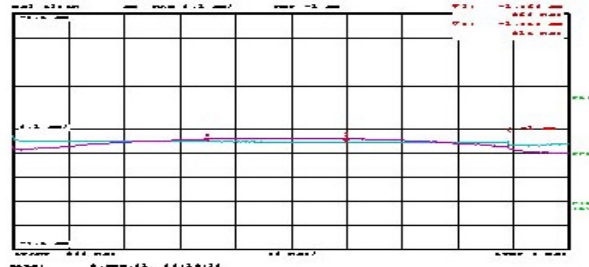
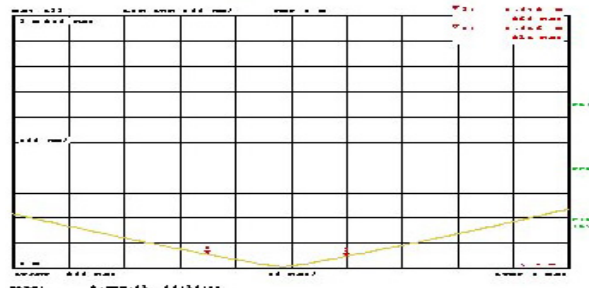
- Cavity Linear Aluminum Board Design
- Quadrature Input for High Power Signal Combining
- Very Small Insertion Loss and High Isolation
- Good Amplitude and Phase Accuracy
- Continuous Wave Handling Power of 450W
- Good Price-Performance Ratio and Quick Delivery

Technical Specifications:

Frequency	935-960 MHz
Insertion Loss	0.3dB
Input VSWR	1.15
Output VSWR	1.15
Isolation	20dB
Amplitude Balance	$\pm 0.15\text{dB}$
Phase Balance	2°
Forward Power	450W

Order Information:

CMIPC-202 All N Female Connector
Please contact manufacturer for all other requirements.



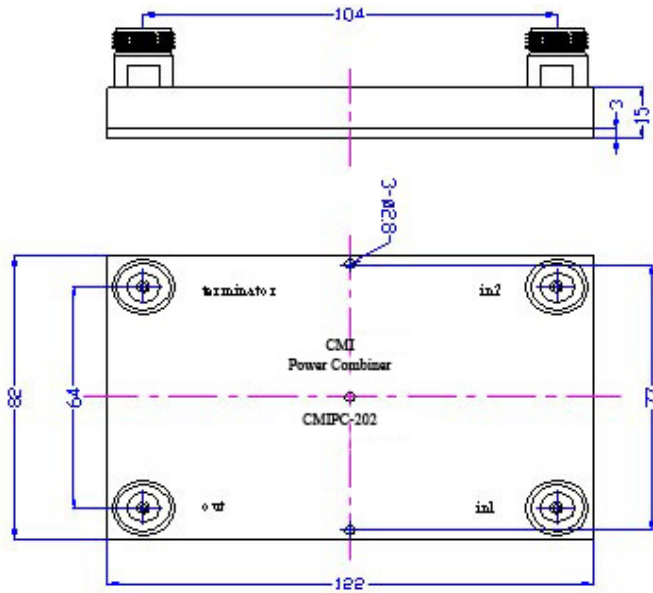
CALL OUR SALES DEPARTMENT FOR MORE INFORMATION OR VARIATIONS OF THIS PRODUCT.

Corry Micronics, Inc. One Plastics Rd. - Corry, PA 16407
(814) 664-7728 Fax (814) 664-4582 www.cormic.com

Corry Micronics Inc. herein referred to CMI, believes this information to be accurate, but makes no warranties, expressed or implied as to the accuracy of this document. CMI assumes no liability for any injury, loss, damage, direct or consequential arising from the use of our products. User assumes all risk whatsoever in connection with it's intended use. CMI also reserves the right to change this document without notice.

Notes:

In is the input port; out is the output port;
Terminator port connecting with 50Ω load.



CALL OUR SALES DEPARTMENT FOR MORE INFORMATION OR VARIATIONS OF THIS PRODUCT.

**Corry Micronics, Inc. One Plastics Rd. - Corry, PA 16407
(814) 664-7728 Fax (814) 664-4582 www.cormic.com**

Corry Micronics Inc. herein referred to CMI, believes this information to be accurate, but makes no warranties, expressed or implied as to the accuracy of this document. CMI assumes no liability for any injury, loss, damage, direct or consequential arising from the use of our products. User assumes all risk whatsoever in connection with it's intended use. CMI also reserves the right to change this document without notice.

800-1000 MHz

Features:

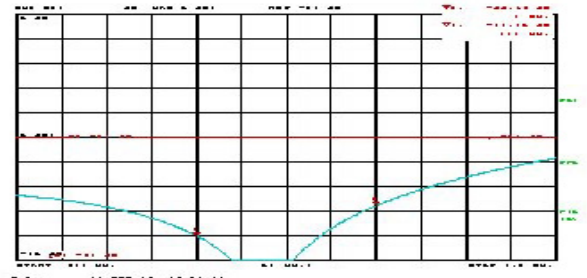
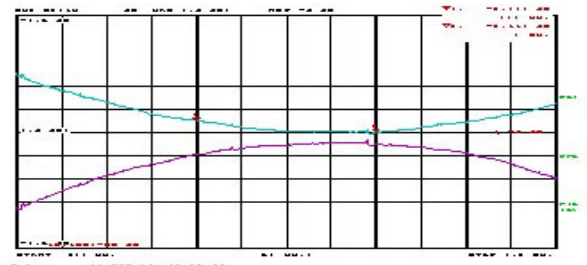
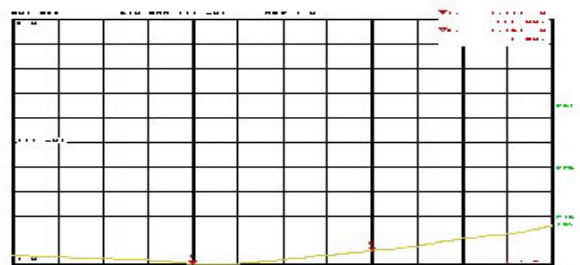
- Cavity Linear Aluminum Board Design
- Quadrature Input for High Power Signal Combining
- 800-1000 MHz, Compatible of CDMA / GSM900
- Very Small Insertion Loss and High Isolation
- Good Amplitude and Phase Accuracy
- Continuous Wave Handling Power of 250W
- Good Price-Performance Ratio and Quick Delivery

Technical Specifications:

Frequency	800-1000MHz
Insertion Loss	0.3dB
Input VSWR	1.2
Output VSWR	1.2
Isolation	25dB
Amplitude Balance	$\pm 0.3\text{dB}$
Phase Balance	2°
Forward Power	250W

Order Information:

CMIPC-101 All N Female Connector
Please contact manufacturer for all other requirements.



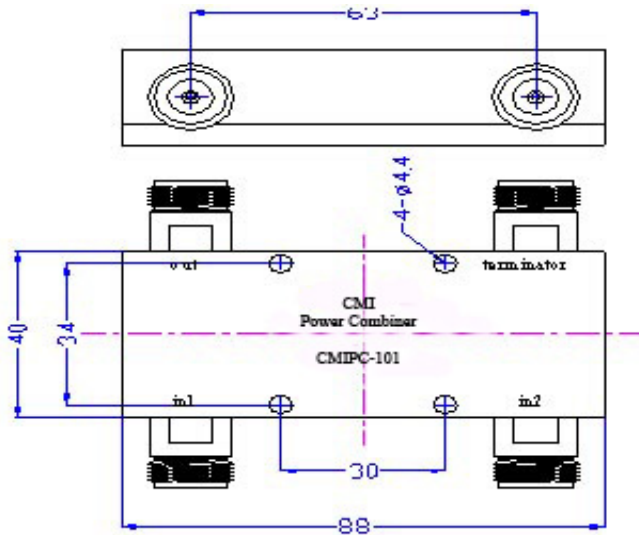
CALL OUR SALES DEPARTMENT FOR MORE INFORMATION OR VARIATIONS OF THIS PRODUCT.

Corry Micronics, Inc. One Plastics Rd. - Corry, PA 16407
(814) 664-7728 Fax (814) 664-4582 www.cormic.com

Corry Micronics Inc. herein referred to CMI, believes this information to be accurate, but makes no warranties, expressed or implied as to the accuracy of this document. CMI assumes no liability for any injury, loss, damage, direct or consequential arising from the use of our products. User assumes all risk whatsoever in connection with it's intended use. CMI also reserves the right to change this document without notice.

Notes:

In is the input port; out is the output port;
Terminator port connecting with 50Ω load.



CALL OUR SALES DEPARTMENT FOR MORE INFORMATION OR VARIATIONS OF THIS PRODUCT.

**Corry Micronics, Inc. One Plastics Rd. - Corry, PA 16407
(814) 664-7728 Fax (814) 664-4582 www.cormic.com**

Corry Micronics Inc. herein referred to CMI, believes this information to be accurate, but makes no warranties, expressed or implied as to the accuracy of this document. CMI assumes no liability for any injury, loss, damage, direct or consequential arising from the use of our products. User assumes all risk whatsoever in connection with it's intended use. CMI also reserves the right to change this document without notice.

1710-1880 MHz

Features:

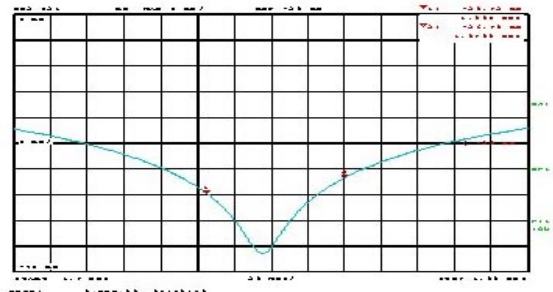
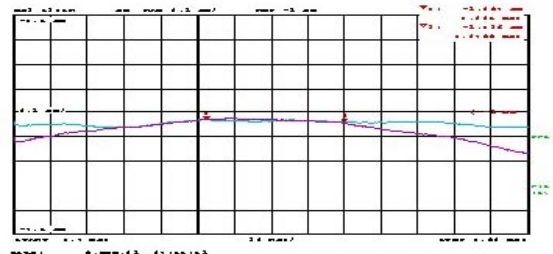
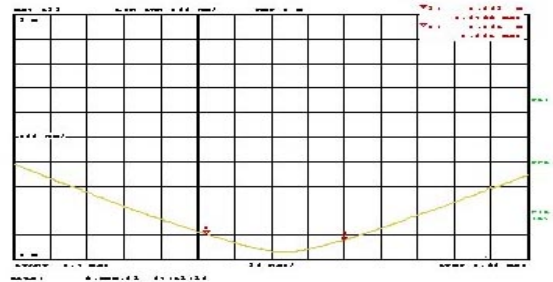
- Cavity Linear Aluminum Board Design
- Quadrature Input for High Power Signal Combining
- Very Small Insertion Loss and High Isolation
- Good Amplitude and Phase Accuracy
- Continuous Wave Handling Power of 450W
- Good Price-Performance Ratio and Quick Delivery

Technical Specifications:

Frequency	1710-1880 MHz
Insertion Loss	0.3dB
Input VSWR	1.15
Output VSWR	1.15
Isolation	20dB
Amplitude Balance	±0.15dB
Phase Balance	2°
Forward Power	450W

Order Information:

CMIPC-203 All N Female Connector
Please contact manufacturer for all other requirements.



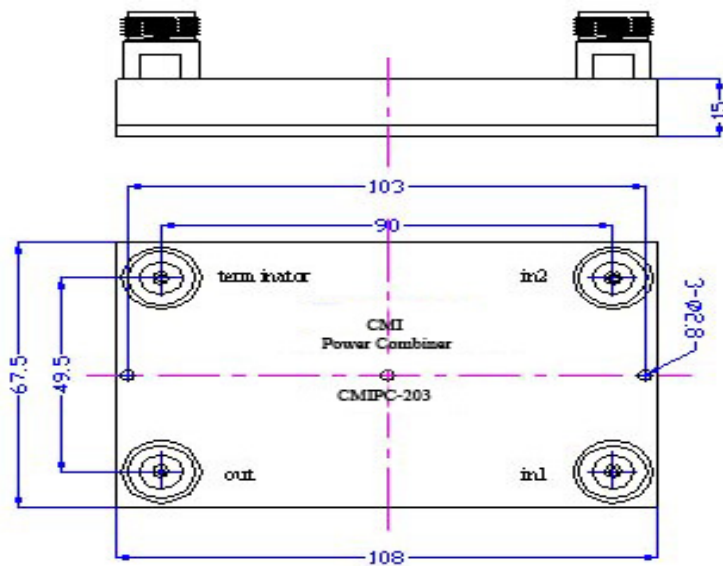
CALL OUR SALES DEPARTMENT FOR MORE INFORMATION OR VARIATIONS OF THIS PRODUCT.

Corry Micronics, Inc. One Plastics Rd. - Corry, PA 16407
(814) 664-7728 Fax (814) 664-4582 www.cormic.com

Corry Micronics Inc. herein referred to CMI, believes this information to be accurate, but makes no warranties, expressed or implied as to the accuracy of this document. CMI assumes no liability for any injury, loss, damage, direct or consequential arising from the use of our products. User assumes all risk whatsoever in connection with it's intended use. CMI also reserves the right to change this document without notice.

Notes:

In is the input port; out is the output port;
Terminator port connecting with 50Ω load.



CALL OUR SALES DEPARTMENT FOR MORE INFORMATION OR VARIATIONS OF THIS PRODUCT.

Corry Micronics, Inc. One Plastics Rd. - Corry, PA 16407
(814) 664-7728 Fax (814) 664-4582 www.cormic.com

Corry Micronics Inc. herein referred to CMI, believes this information to be accurate, but makes no warranties, expressed or implied as to the accuracy of this document. CMI assumes no liability for any injury, loss, damage, direct or consequential arising from the use of our products. User assumes all risk whatsoever in connection with it's intended use. CMI also reserves the right to change this document without notice.

1.7-2.2 GHz

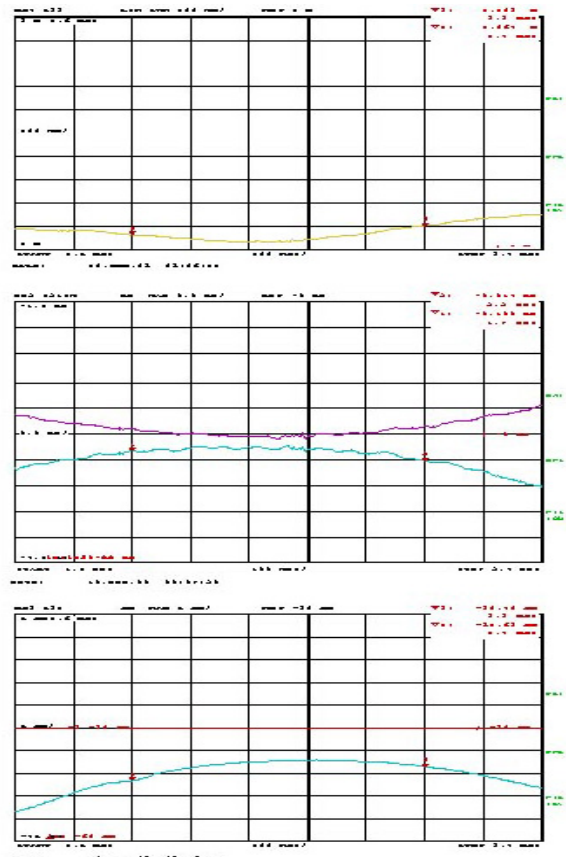
Features:

- Cavity Linear Aluminum Board Design
- Quadrature Input for High Power Signal Combining
- 1.7-2.2 GHz, Compatible of CDMA / GSM900
- Very Small Insertion Loss and High Isolation
- Good Amplitude and Phase Accuracy
- Continuous Wave Handling Power of 250W
- Good Price-Performance Ratio and Quick Delivery

Technical Specifications:

Frequency	1.7-2.2 GHz
Insertion Loss	0.3dB
Input VSWR	1.2
Output VSWR	1.2
Isolation	25dB
Amplitude Balance	±0.2dB
Phase Balance	2°
Forward Power	250W

Order Information: CMIPC-102 All N Female Connector
Please contact manufacturer for all other requirements.



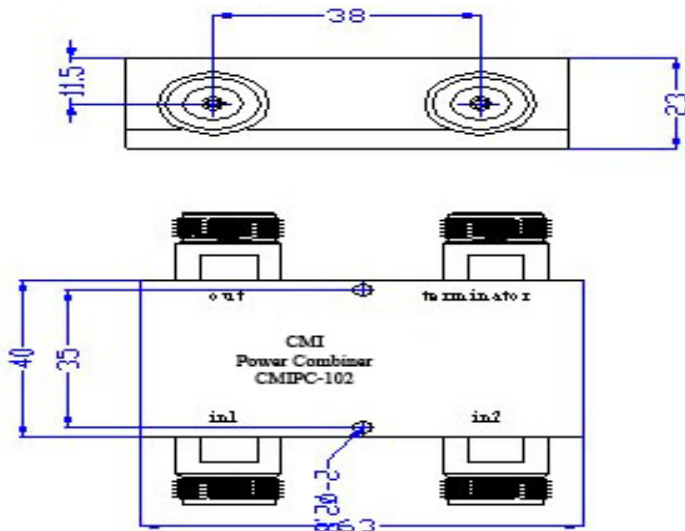
CALL OUR SALES DEPARTMENT FOR MORE INFORMATION OR VARIATIONS OF THIS PRODUCT.

**Corry Micronics, Inc. One Plastics Rd. - Corry, PA 16407
(814) 664-7728 Fax (814) 664-4582 www.cormic.com**

Corry Micronics Inc, herein referred to CMI, believes this information to be accurate, but makes no warranties, expressed or implied as to the accuracy of this document. CMI assumes no liability for any injury, loss, damage, direct or consequential arising from the use of our products. User assumes all risk whatsoever in connection with it's intended use. CMI also reserves the right to change this document without notice.

Notes:

In is the input port; out is the output port;
Terminator port connecting with 50Ω load.



CALL OUR SALES DEPARTMENT FOR MORE INFORMATION OR VARIATIONS OF THIS PRODUCT.

**Corry Micronics, Inc. One Plastics Rd. - Corry, PA 16407
(814) 664-7728 Fax (814) 664-4582 www.cormic.com**

Corry Micronics Inc. herein referred to CMI, believes this information to be accurate, but makes no warranties, expressed or implied as to the accuracy of this document. CMI assumes no liability for any injury, loss, damage, direct or consequential arising from the use of our products. User assumes all risk whatsoever in connection with it's intended use. CMI also reserves the right to change this document without notice.