

Circulators: Connectorized

CMI has achieved strong capability in developing and manufacturing isolators and circulators. All of our designs are rated conservatively to ensure the utmost in reliability and successful system performance.

CMI offers a wide range of narrow and wide bandwidth RF and microwave isolator and circulator products in coaxial, drop-in and waveguide configurations that extend from 300MHz to 18GHz frequency ranges. You can select from the products listed below or send us specific requirements so that we can meet your needs better.



Specifications:

Forward power: 10/50/100 watts

Reverse power: 1 watt

Connector: SMA or N

Order:

When ordering, please specify the center frequency (in GHz),Bandwidth (in MHz), Forward power etc.

Example: TGH101-0.5-100-10, means: Circulator TGH101,center frequency=0.5 GHz, bandwidth=100 MHZ and Forward power 10 watts

Note: Other special requirements are available, please contact the factory to discuss your requirements.

CALL OUR SALES DEPARTMENT FOR MORE INFORMATION OR VARIATIONS OF THIS PRODUCT.

**Corry Micronics, Inc. One Plastics Rd. - Corry, PA 16407
(814) 664-7728 Fax (814) 664-4582 www.cormic.com**

Corry Micronics Inc. herein referred to CMI, believes this information to be accurate, but makes no warranties, expressed or implied as to the accuracy of this document. CMI assumes no liability for any injury, loss, damage, direct or consequential arising from the use of our products. User assumes all risk whatsoever in connection with it's intended use. CMI also reserves the right to change this document without notice.

CICULATOR MODEL NUMBER	FREQUENCY RANGE (GHz)	BANDWIDTH (MHz)	ISOLATION (dB Min.)	VSWR (MAX.)	INSERTION LOSS (dB Max.)	OPERATING TEMPERATURE DEGREES C	OUTLINE
CMIH101	0.3-0.8	50	23	1.2:1	0.4	-40 to +70	1
		100	20	1.25:1	0.5	-40 to +70	1
CMIH201	0.75-1.4	50	25	1.15:1	0.3	-40 to +70	2
		100	23	1.20:1	0.4	-40 to +70	2
		250	20	1.25:1	0.5	-40 to +70	2
CMIH202	0.8-1.7	50	23	1.15:1	0.3	-40 to +70	3
		100	20	1.20:1	0.4	-40 to +70	3
		200	18	1.25:1	0.5	-40 to +70	3
CMIH301	2-4	200	25	1.15:1	0.3	-40 to +70	4
		600	23	1.20:1	0.4	-40 to +70	4
		FULL	18	1.30:1	0.5	-40 to +70	4
CMI5H313	1.8-3.6	300	50	1.15:1	0.5	-25 to +70	6
		600	45	1.20:1	0.7	-25 to +70	6
		1000	40	1.25:1	0.8	-25 to +70	6
CMIH402	3.0-8.0	100	23	1.15:1	0.3	-40 to +85	7
		800	20	1.25:1	0.4	-40 to +85	7
		2000	20	1.30:1	0.4	-40 to +85	7
	4.0-8.0	FULL	20	1.35:1	0.5	-40 to +85	7
CMIH407	4.0-8.0	300	50	1.15:1	0.6	-40 to +85	8
		600	45	1.20:1	0.8	-40 to +85	8
		2000	40	1.25:1	0.8	-40 to +85	8
CMIH501	8.0-10.0	200	25	1.15:1	0.3	-40 to +85	9
		400	23	1.20:1	0.4	-40 to +85	9
		800	20	1.25:1	0.5	-40 to +85	9
CMIH601	8.0-12.0	300	25	1.15:1	0.3	-40 to +85	10
		600	23	1.20:1	0.4	-40 to +85	10
		FULL	16	1.40:1	0.5	-40 to +85	10
	12.0-18.0	400	23	1.15:1	0.3	-40 to +85	10
		600	20	1.20:1	0.4	-40 to +85	10
		FULL	16	1.40:1	0.5	-40 to +85	10
	8.0-18.0	FULL	16	1.50:1	1.0	-40 to +85	10
CMIH305	1.8-4.2	100	23	1.15:1	0.3	-40 to +70	5
		200	20	1.20:1	0.4	-40 to +70	5
		400	18	1.25:1	0.5	-40 to +70	5

CALL OUR SALES DEPARTMENT FOR MORE INFORMATION OR VARIATIONS OF THIS PRODUCT.

**Corry Micronics, Inc. One Plastics Rd. - Corry, PA 16407
(814) 664-7728 Fax (814) 664-4582 www.cormic.com**

Corry Micronics Inc. herein referred to CMI, believes this information to be accurate, but makes no warranties, expressed or implied as to the accuracy of this document. CMI assumes no liability for any injury, loss, damage, direct or consequential arising from the use of our products. User assumes all risk whatsoever in connection with it's intended use. CMI also reserves the right to change this document without notice.

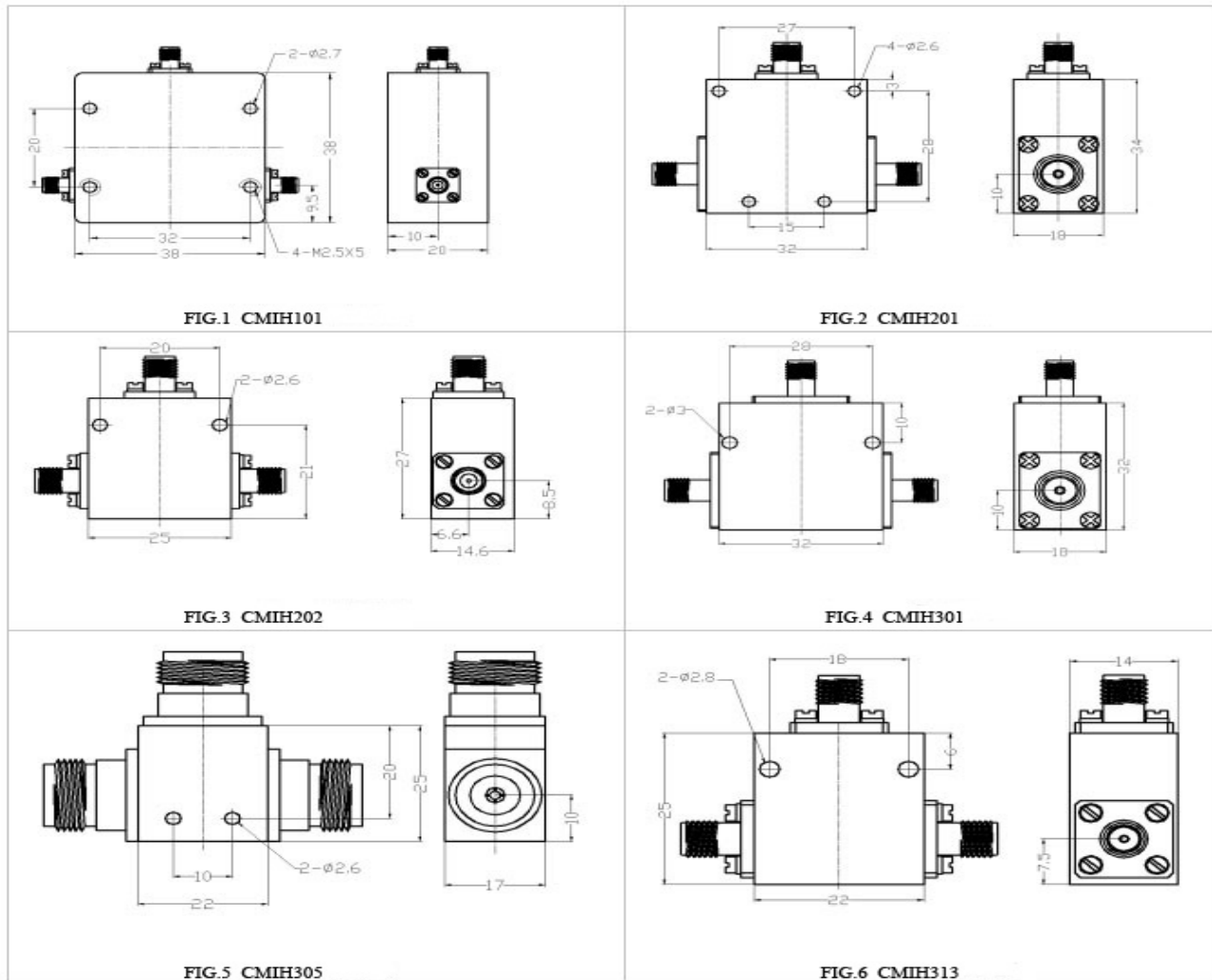
Note:

INSERTION LOSS (Excluding coupled power)

Given for reference only, a value which is the internal power dissipation of the device not including the power routed to other ports.

**All published specifications apply by using a matched designed test fixture with testing performed at 23°C. Tests include VSWR, insertion loss and isolation. All measurements are performed in a 50 ohm impedance test system.

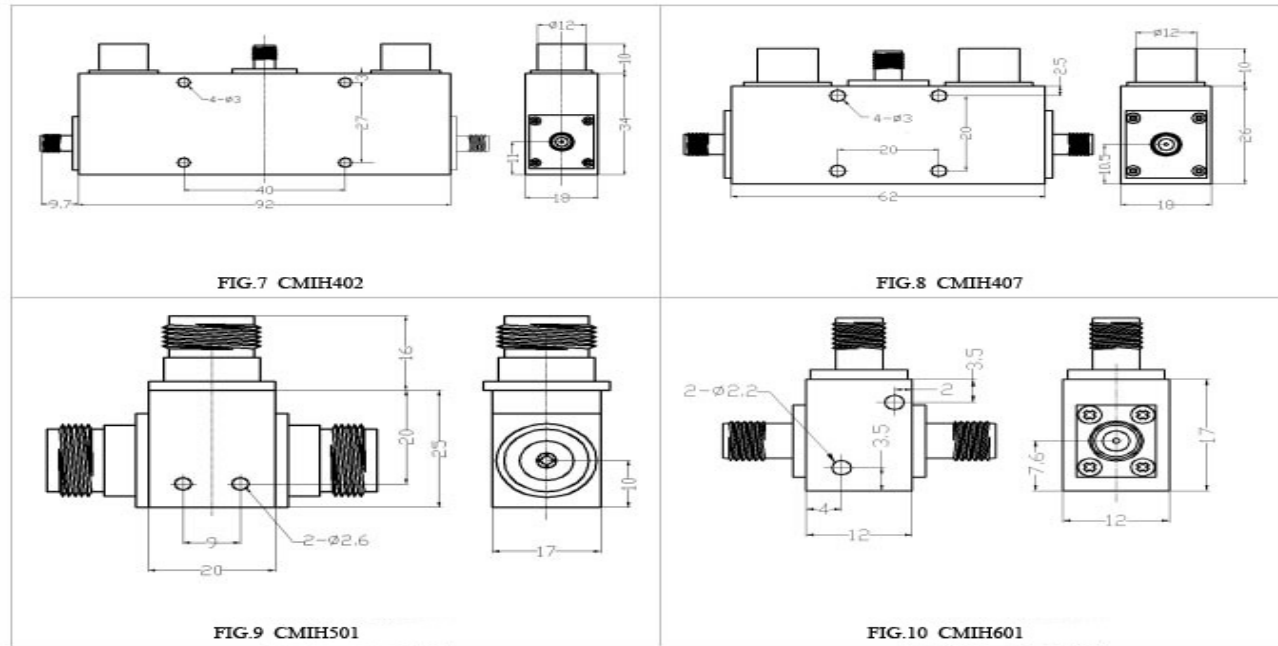
Outline Drawings:



CALL OUR SALES DEPARTMENT FOR MORE INFORMATION OR VARIATIONS OF THIS PRODUCT.

**Corry Micronics, Inc. One Plastics Rd. - Corry, PA 16407
(814) 664-7728 Fax (814) 664-4582 www.cormic.com**

Corry Micronics Inc. herein referred to CMI, believes this information to be accurate, but makes no warranties, expressed or implied as to the accuracy of this document. CMI assumes no liability for any injury, loss, damage, direct or consequential arising from the use of our products. User assumes all risk whatsoever in connection with it's intended use. CMI also reserves the right to change this document without notice.



CALL OUR SALES DEPARTMENT FOR MORE INFORMATION OR VARIATIONS OF THIS PRODUCT.

**Corry Micronics, Inc. One Plastics Rd. - Corry, PA 16407
(814) 664-7728 Fax (814) 664-4582 www.cormic.com**

Corry Micronics Inc. herein referred to CMI, believes this information to be accurate, but makes no warranties, expressed or implied as to the accuracy of this document. CMI assumes no liability for any injury, loss, damage, direct or consequential arising from the use of our products. User assumes all risk whatsoever in connection with it's intended use. CMI also reserves the right to change this document without notice.