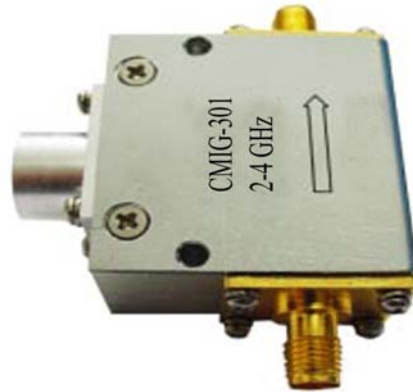


Isolators: Connectorized

CMI has achieved strong capability in developing and manufacturing isolators and circulators. All of our designs are rated conservatively to ensure the utmost in reliability and successful system performance.

CMI offers a wide range of narrow and wide bandwidth RF and microwave isolator and circulator products in coaxial, drop-in and waveguide configurations that extend from 300MHz to 18GHz frequency ranges. You can select from the products listed below or send us specific requirements so that we can meet your needs better.



Specification:

Forward power: 10/50/100 watts
Reverse power: 1 watt
Connector: SMA or N

Order:

When ordering, please specify the center frequency (in GHz),Bandwidth (in MHz), Forward power etc.
Example: TGG101-0.5-100-10, means: Isolator TGG101,center frequency=0.5 GHz, bandwidth=100 MHZ and Forward power 10 watts

Note:

Other special requirements are available, please contact the factory to discuss your requirements.

CALL OUR SALES DEPARTMENT FOR MORE INFORMATION OR VARIATIONS OF THIS PRODUCT.

**Corry Micronics, Inc. One Plastics Rd. - Corry, PA 16407
(814) 664-7728 Fax (814) 664-4582 www.cormic.com**

Corry Micronics Inc. herein referred to CMI, believes this information to be accurate, but makes no warranties, expressed or implied as to the accuracy of this document. CMI assumes no liability for any injury, loss, damage, direct or consequential arising from the use of our products. User assumes all risk whatsoever in connection with it's intended use. CMI also reserves the right to change this document without notice.

ISOLATOR MODEL NUMBER	FREQUENCY RANGE (GHz)	BANDWIDTH (MHz)	ISOLATION (dB Min.)	VSWR (MAX.)	INSERTION LOSS (dB MAX.)	OPERATING TEMPERATURE DEGREES C	OUTLINE
CMIH101	0.3-0.8	50	23	1.2:1	0.4	-40 to +70	1
		100	20	1.25:1	0.5	-40 to +70	1
CMIH201	0.75-1.4	50	25	1.15:1	0.3	-40 to +70	2
		100	23	1.20:1	0.4	-40 to +70	2
		250	20	1.25:1	0.5	-40 to +70	2
CMIH201B	0.75-1.7	50	25	1.15:1	0.3	-40 to +70	3
		100	23	1.20:1	0.4	-40 to +70	3
		250	20	1.25:1	0.5	-40 to +70	3
CMIG202B	0.75 ~ 1.7	50	25	1.15:1	0.3	-40 to +70	16
		100	23	1.20:1	0.4	-40 to +70	16
		200	20	1.25:1	0.5	-40 to +70	16
	0.9 ~ 1.225	FULL	20	1.30:1	0.6	-40 to +70	16
CMIG206	0.8-1.7	50	50	1.15:1	0.6	-40 to +70	4
		100	45	1.20:1	0.8	-40 to +70	4
		200	40	1.25:1	1.0	-40 to +70	4
CMIG301	2-4	200	25	1.15:1	0.3	-40 to +70	5
		600	23	1.20:1	0.4	-40 to +70	5
		FULL	20	1.25:1	0.5	-40 to +70	5
CMIG305	1.8-4.2	200	25	1.15:1	0.3	-40 to +70	6
		400	23	1.20:1	0.4	-40 to +70	6
CMIG308	2.6-3.6	100	50	1.15:1	0.5	-40 to +70	7
		200	45	1.20:1	0.6	-40 to +70	7
		400	40	1.25:1	0.8	-40 to +70	7
CMIG401	2.5-6.0	400	25	1.15:1	0.3	-40 to +70	8
		600	23	1.20:1	0.3	-40 to +70	8
		1000	20	1.25:1	0.4	-40 to +70	8
CMIG402	3.0-8.0	400	23	1.15:1	0.3	-40 to +70	9
		800	20	1.25:1	0.4	-40 to +70	9
		2000	20	1.30:1	0.4	-40 to +70	9
CMIG402	2.0-4.0	FULL	20	1.20:1	0.5	-40 to +70	9

CALL OUR SALES DEPARTMENT FOR MORE INFORMATION OR VARIATIONS OF THIS PRODUCT.

**Corry Micronics, Inc. One Plastics Rd. - Corry, PA 16407
(814) 664-7728 Fax (814) 664-4582 www.cormic.com**

Corry Micronics Inc. herein referred to CMI, believes this information to be accurate, but makes no warranties, expressed or implied as to the accuracy of this document. CMI assumes no liability for any injury, loss, damage, direct or consequential arising from the use of our products. User assumes all risk whatsoever in connection with it's intended use. CMI also reserves the right to change this document without notice.

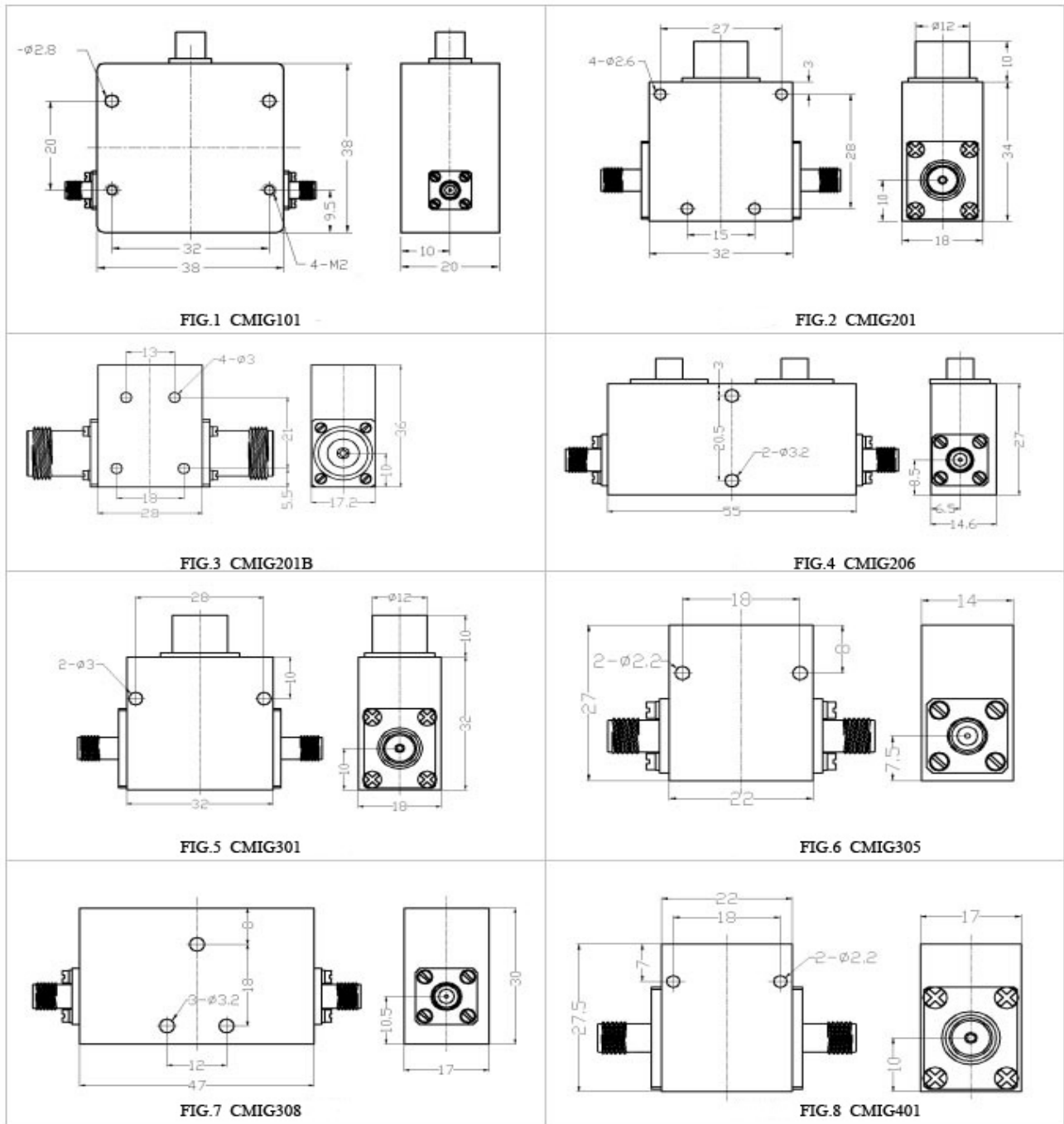
CMIG406	4.0-8.0	300	50	1.25:1	0.6	-40 to +70	10
		600	45	1.40:1	0.8	-40 to +70	10
		1000	40	1.35:1	1.0	-40 to +70	10
CMIG501	8.0-10.0	200	25	1.15:1	0.3	-40 to +70	11
		400	23	1.20:1	0.4	-40 to +70	11
		800	20	1.25:1	0.5	-40 to +70	11
CMIA505	7.0-10.0	300	50	1.15:1	0.6	-40 to +70	12
		600	45	1.25:1	0.7	-40 to +70	12
		1000	40	1.22:1	0.8	-40 to +70	12
CMIG601	8.0-12.0	300	25	1.15:1	0.3	-40 to +70	13
		600	23	1.20:1	0.4	-40 to +70	13
		FULL	20	1.35:1	0.5	-40 to +70	13
	12.0-18.0	400	25	1.20:1	0.3	-40 to +70	13
		600	23	1.25:1	0.4	-40 to +70	13
		FULL	20	1.40:1	0.6	-40 to +70	13
8.0-18.0	FULL	16	1.50:1	1.0	-54 to +85	13	
CMIG601B	9.0-16.0	300	25	1.15:1	0.3	-54 to +85	14
		600	23	1.20:1	0.4	-54 to +85	14
CMIG603	8.5-16.0	500	50	1.15:1	0.5	-54 to +85	15
		1000	45	1.20:1	0.7	-54 to +85	15
		2000	40	1.25:1	1.0	-54 to +85	15

CALL OUR SALES DEPARTMENT FOR MORE INFORMATION OR VARIATIONS OF THIS PRODUCT.

Corry Micronics, Inc. One Plastics Rd. - Corry, PA 16407
(814) 664-7728 Fax (814) 664-4582 www.cormic.com

Corry Micronics Inc. herein referred to CMI, believes this information to be accurate, but makes no warranties, expressed or implied as to the accuracy of this document. CMI assumes no liability for any injury, loss, damage, direct or consequential arising from the use of our products. User assumes all risk whatsoever in connection with it's intended use. CMI also reserves the right to change this document without notice.

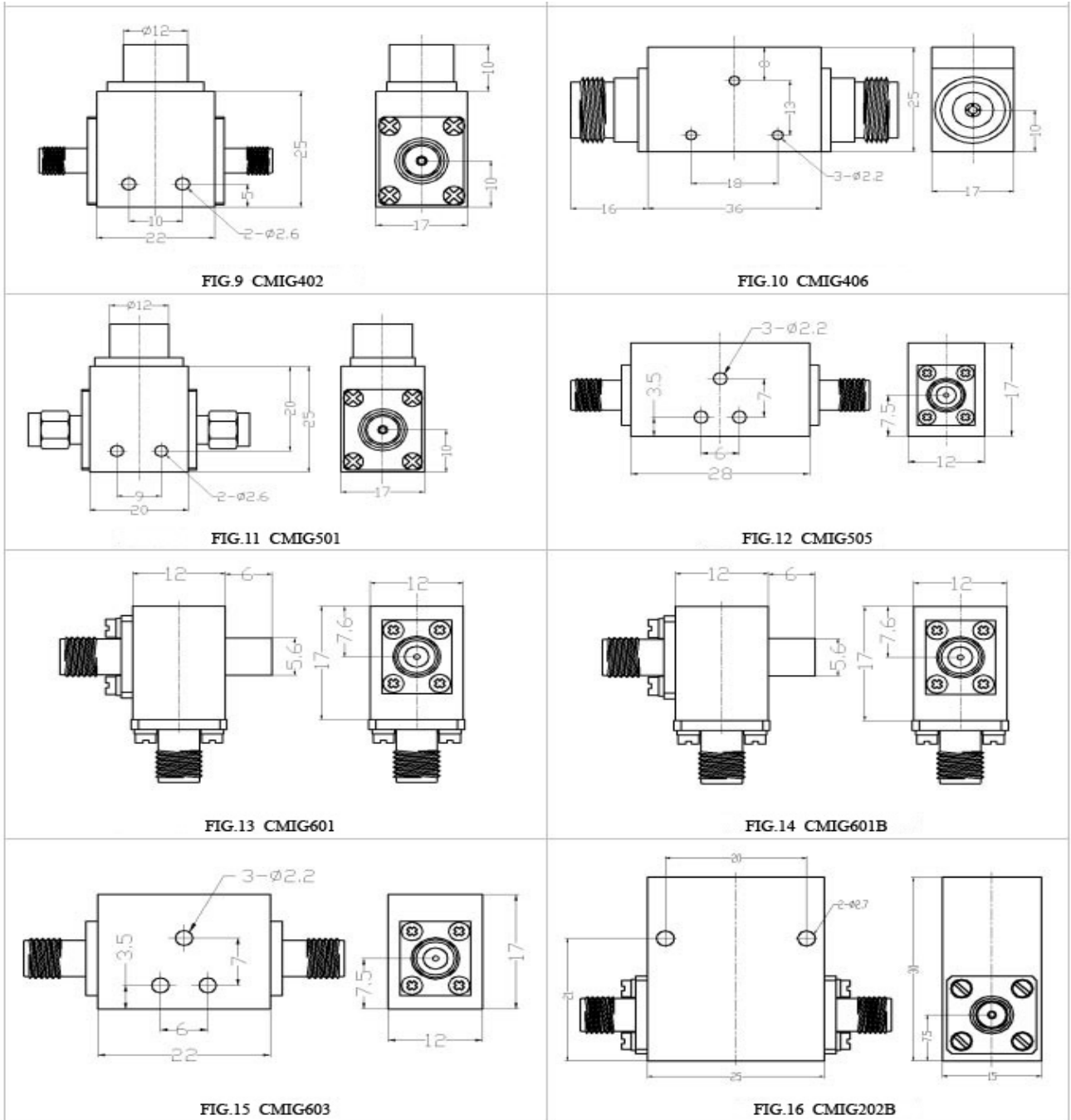
Outline Drawings:



CALL OUR SALES DEPARTMENT FOR MORE INFORMATION OR VARIATIONS OF THIS PRODUCT.

**Corry Micronics, Inc. One Plastics Rd. - Corry, PA 16407
(814) 664-7728 Fax (814) 664-4582 www.cormic.com**

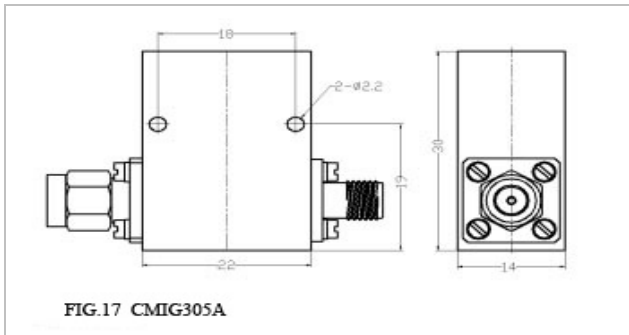
Corry Micronics Inc. herein referred to CMI, believes this information to be accurate, but makes no warranties, expressed or implied as to the accuracy of this document. CMI assumes no liability for any injury, loss, damage, direct or consequential arising from the use of our products. User assumes all risk whatsoever in connection with it's intended use. CMI also reserves the right to change this document without notice.



CALL OUR SALES DEPARTMENT FOR MORE INFORMATION OR VARIATIONS OF THIS PRODUCT.

**Corry Micronics, Inc. One Plastics Rd. - Corry, PA 16407
(814) 664-7728 Fax (814) 664-4582 www.cormic.com**

Corry Micronics Inc. herein referred to CMI, believes this information to be accurate, but makes no warranties, expressed or implied as to the accuracy of this document. CMI assumes no liability for any injury, loss, damage, direct or consequential arising from the use of our products. User assumes all risk whatsoever in connection with it's intended use. CMI also reserves the right to change this document without notice.



CALL OUR SALES DEPARTMENT FOR MORE INFORMATION OR VARIATIONS OF THIS PRODUCT.

**Corry Micronics, Inc. One Plastics Rd. - Corry, PA 16407
(814) 664-7728 Fax (814) 664-4582 www.cormic.com**

Corry Micronics Inc. herein referred to CMI, believes this information to be accurate, but makes no warranties, expressed or implied as to the accuracy of this document. CMI assumes no liability for any injury, loss, damage, direct or consequential arising from the use of our products. User assumes all risk whatsoever in connection with it's intended use. CMI also reserves the right to change this document without notice.