

Communication Power Dividers (N type)

- 800 - 2,500 MHz Multi Band
- 30 Watt Avg. Power Rating
- Low RF Insertion Loss
- High Isolation
- Opposed N Connectors for easier installation
- Low Cost Design
- Stock Delivery



CMI's model CMI-P series of 2, 3 & 4 way Wilkinson style Power Dividers has been designed for low power applications where output isolation is preferable over lowest possible loss. The wide frequency range of this design allows use with multiband antennas and leaky cable systems. This series can be available in an in-line configuration up to 3 ways and opposite configuration for all of the CMI-P series.

Frequency Range: 800 - 2,500Hz
 Impedance: 50Ω nominal
 Temperature: -30 to +55°C
 Applications: Indoor, 0 - 90%RH
 Finish: Black epoxy paint
 Connectors: N(f)
 Housing: Passivated aluminum

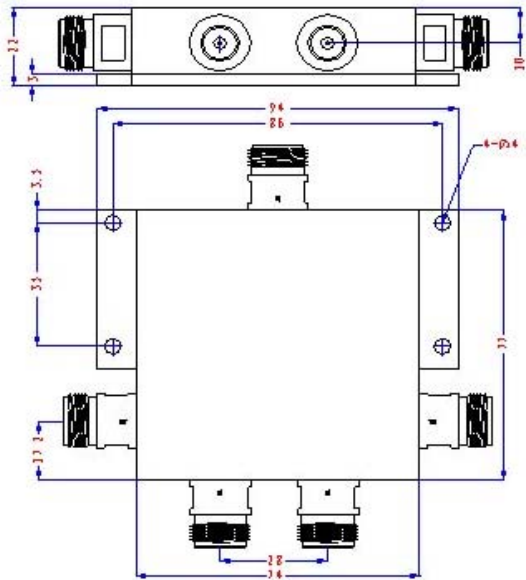
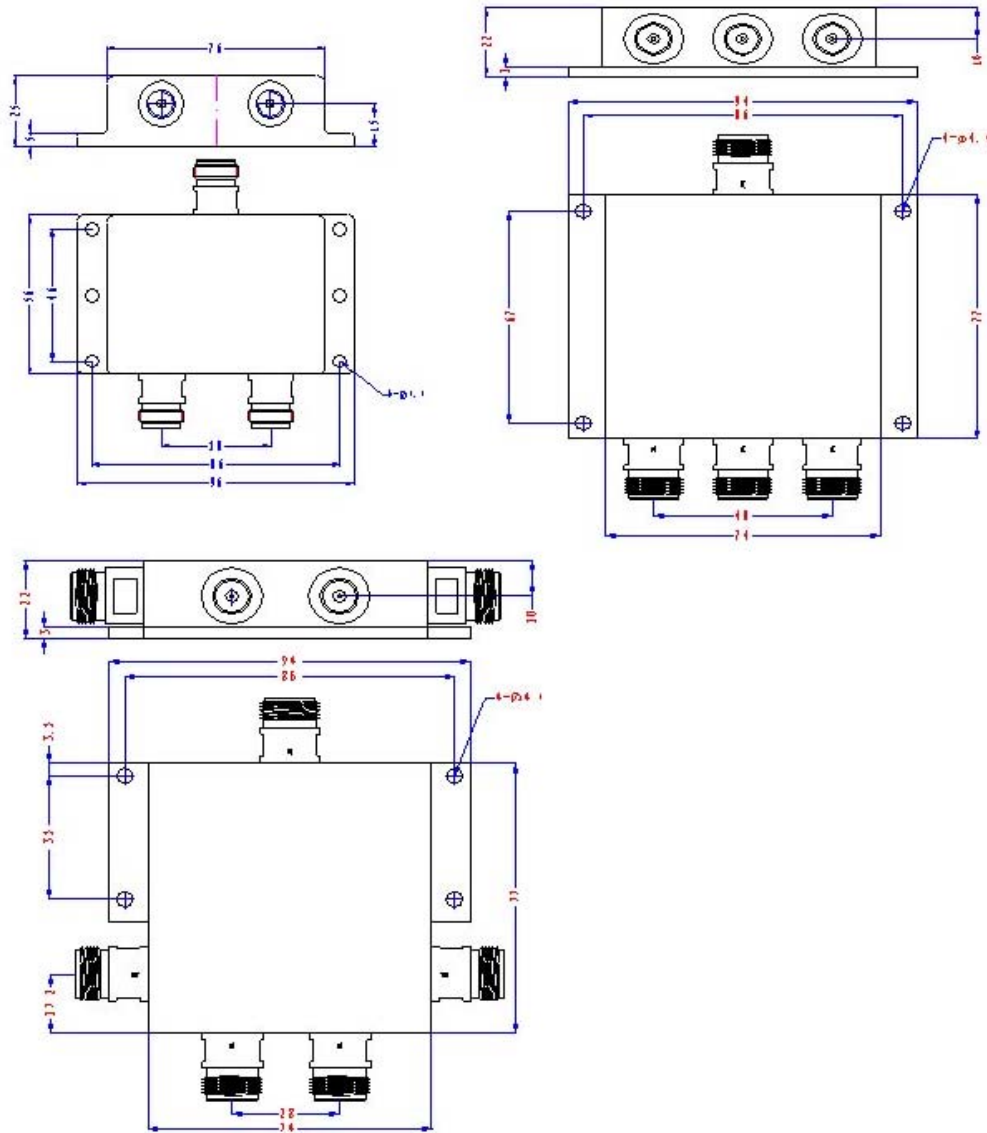
Model No. Number of Ways	Isolation dB min	Split Loss dB	Dissipative Loss, dB nom	Amplitude Balance max	Phase Balance max.	Input VSWR max.	Output VSWR max	Forward Power* max avg.	Reverse Power** avg.	Weight nom. oz (g)
CMIP-0221 2	22	3	0.4	0.3 dB	±2°	1.25:1	1.20:1	30W	5W	8.9(250)
CMIP-0321 3	20	4	0.6	0.35 dB	±3°	1.30:1	1.25:1	30W	5W	14 (400)
CMIP-0421 4	20	6	0.7	0.35 dB	±3°	1.30:1	1.25:1	30W	5W	14 (400)

*Used as divider, with Load VSWR <1.2:1 **Used as combiner

CALL OUR SALES DEPARTMENT FOR MORE INFORMATION OR VARIATIONS OF THIS PRODUCT.

**Corry Micronics, Inc. One Plastics Rd. - Corry, PA 16407
 (814) 664-7728 Fax (814) 664-4582 www.cormic.com**

Corry Micronics Inc. herein referred to CMI, believes this information to be accurate, but makes no warranties, expressed or implied as to the accuracy of this document. CMI assumes no liability for any injury, loss, damage, direct or consequential arising from the use of our products. User assumes all risk whatsoever in connection with it's intended use. CMI also reserves the right to change this document without notice.

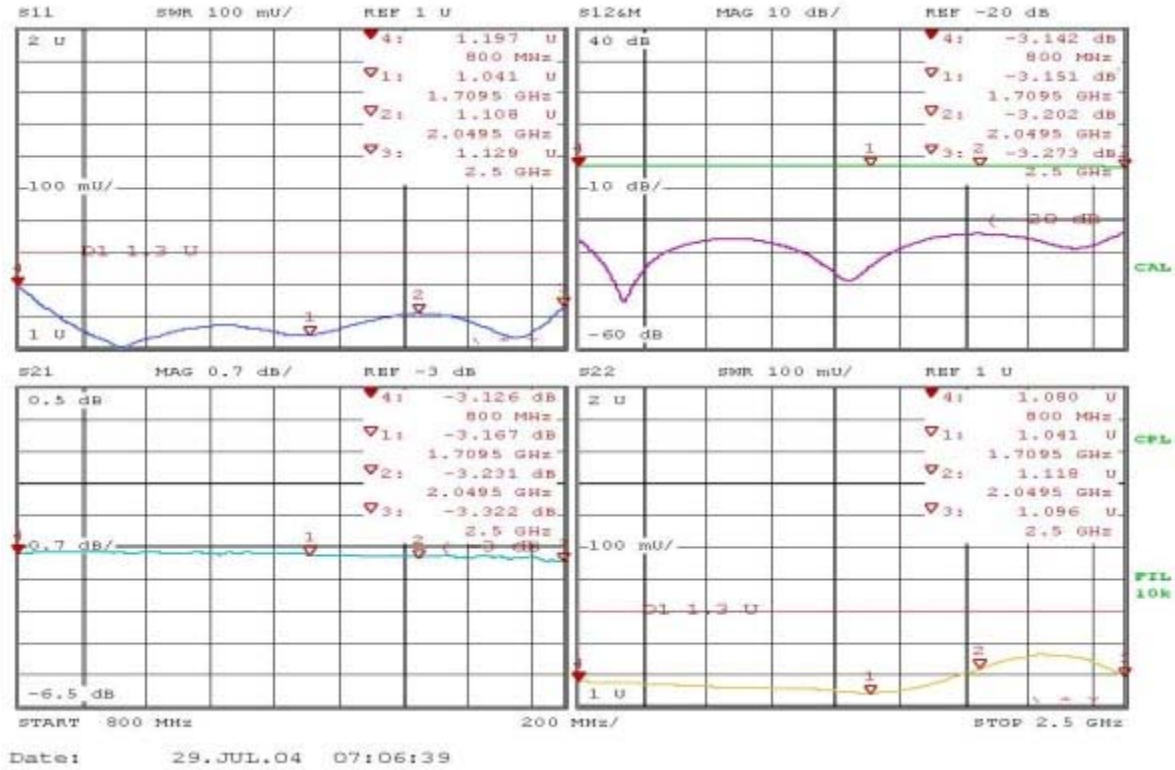


CALL OUR SALES DEPARTMENT FOR MORE INFORMATION OR VARIATIONS OF THIS PRODUCT.

**Corry Micronics, Inc. One Plastics Rd. - Corry, PA 16407
(814) 664-7728 Fax (814) 664-4582 www.cormic.com**

Corry Micronics Inc. herein referred to CMI, believes this information to be accurate, but makes no warranties, expressed or implied as to the accuracy of this document. CMI assumes no liability for any injury, loss, damage, direct or consequential arising from the use of our products. User assumes all risk whatsoever in connection with it's intended use. CMI also reserves the right to change this document without notice.

Typical Testing Graph of CMIP-B0221:

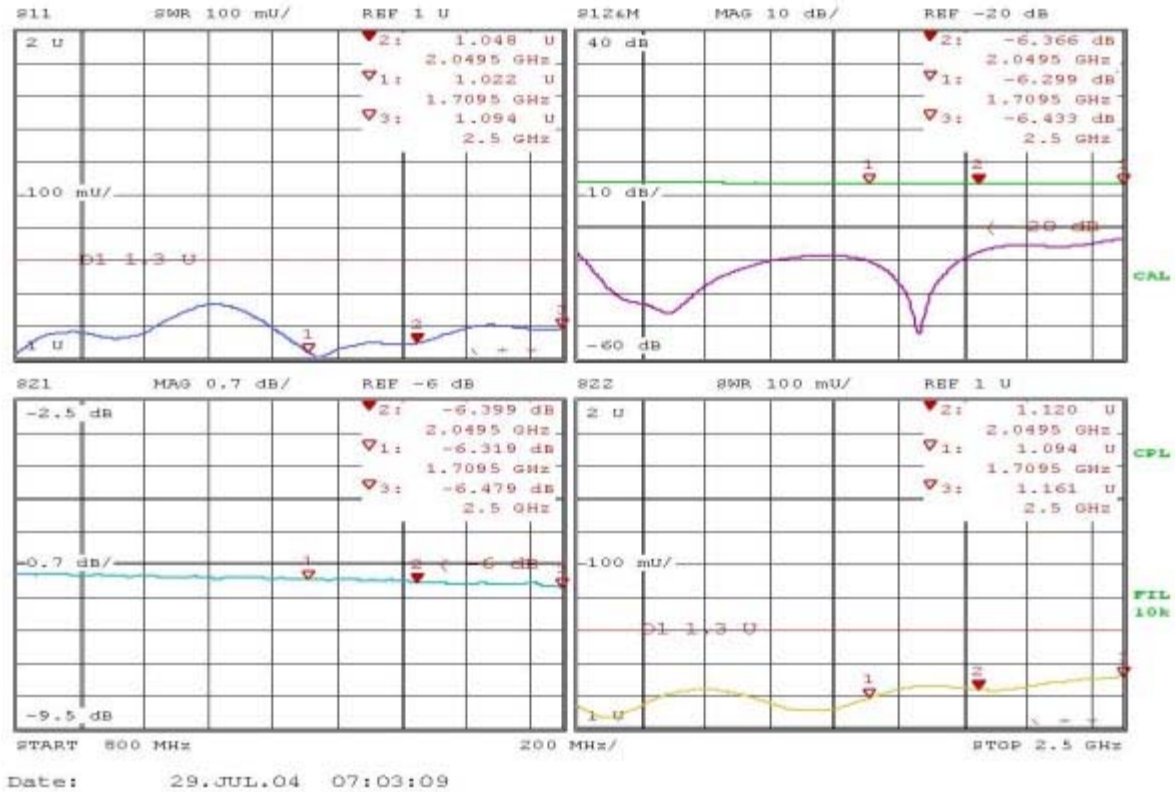


CALL OUR SALES DEPARTMENT FOR MORE INFORMATION OR VARIATIONS OF THIS PRODUCT.

**Corry Micronics, Inc. One Plastics Rd. - Corry, PA 16407
(814) 664-7728 Fax (814) 664-4582 www.cormic.com**

Corry Micronics Inc. herein referred to CMI, believes this information to be accurate, but makes no warranties, expressed or implied as to the accuracy of this document. CMI assumes no liability for any injury, loss, damage, direct or consequential arising from the use of our products. User assumes all risk whatsoever in connection with its intended use. CMI also reserves the right to change this document without notice.

Typical Testing Graph of CMIP-B0421:



CALL OUR SALES DEPARTMENT FOR MORE INFORMATION OR VARIATIONS OF THIS PRODUCT.

Corry Micronics, Inc. One Plastics Rd. - Corry, PA 16407
(814) 664-7728 Fax (814) 664-4582 www.cormic.com

Corry Micronics Inc. herein referred to CMI, believes this information to be accurate, but makes no warranties, expressed or implied as to the accuracy of this document. CMI assumes no liability for any injury, loss, damage, direct or consequential arising from the use of our products. User assumes all risk whatsoever in connection with it's intended use. CMI also reserves the right to change this document without notice.