

RF 0° 2-Way



A₁



A₄



B₂



B₁



E



H₁



S₂

0° Power Splitters/Combiners 50Ω/75Ω Surface Mount

2Way												
Model No.	Freq. Range (MHz) fL-fU	Insertion Loss (dB)			Isolation (dB)			(VSWR)		Unbalance		Case Style
		L	M	U	L	M	U	Max		Phase	Amp	
		Typ/Ma	Typ/Ma	Typ/Ma	Typ/Min	Typ/Min	Typ/Min	In	Out	(°) Max	(dB) Max	
CMIFLS2-2-1	1-600	0.4/0.7	0.5/0.8	0.6/1.0	25/20	30/20	25/20			5	0.6	S2
CMIFLS2-2-4	10-1000	0.4/0.7	0.5/0.8	0.6/1.0	25/20	30/20	20/18			7	0.7	S2
CMIFLS2-2-11	20-2000	0.6/0.8	0.7/1.0	0.8/1.5	15	15	15			5	0.7	S2
CMIFLS2-2-2000	2000±5%		0.4/0.6			20				2	0.3	S2

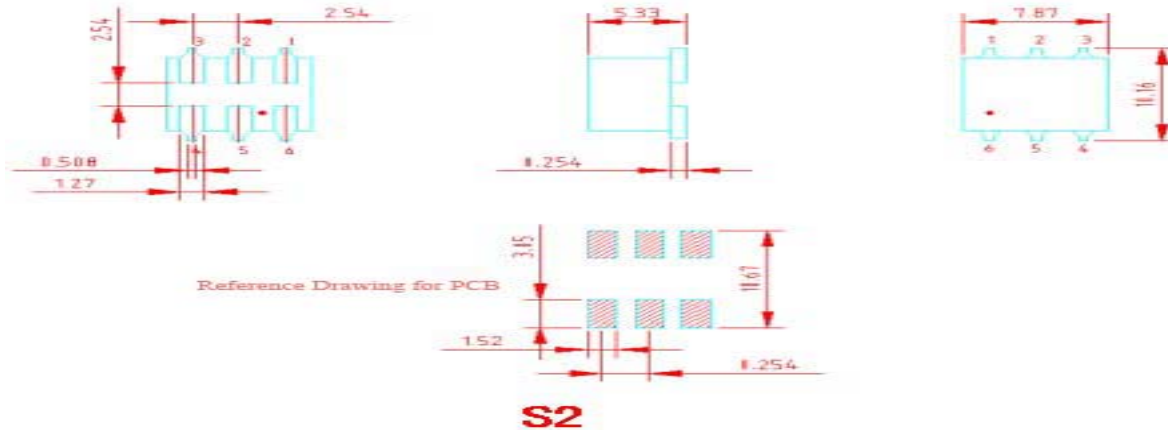
Pin Connections:

Model No.	Sum Port	Port 1	Port 2	Port 3	Port 4	Gnd Ext.
CMIFLS2-2-	6	3	4			1,2,5

CALL OUR SALES DEPARTMENT FOR MORE INFORMATION OR VARIATIONS OF THIS PRODUCT.

**Corry Micronics, Inc. One Plastics Rd. - Corry, PA 16407
(814) 664-7728 Fax (814) 664-4582 www.cormic.com**

Corry Micronics Inc. herein referred to CMI, believes this information to be accurate, but makes no warranties, expressed or implied as to the accuracy of this document. CMI assumes no liability for any injury, loss, damage, direct or consequential arising from the use of our products. User assumes all risk whatsoever in connection with it's intended use. CMI also reserves the right to change this document without notice.



0° Power Splitters/Combiners 50Ω/75Ω Plug-In & Flatpack

2Way												
Model No.	Freq. Range (MHz) fL-fU	Insertion Loss (dB)			Isolation (dB)			(VSWR)		Unbalance		Case Style
		L	M	U	L	M	U	Max		Phase	Amp	
		Typ/Ma	Typ/Ma	Typ/Ma	Typ/Min	Typ/Min	Typ/Min	In	Out	(°) Max	(dB) Max	
CMIFLA-2-1	0.1-400	0.2/0.6	0.4/0.7	0.6/1.0	20/15	25/20	25/20			4	0.3	A1
CMIFLA-2-1S	1-600	0.3/0.6	0.5/0.9	0.7/1.0	25/20	30/20	25/20			4	0.3	A1
CMIFLA-2-2	0.005-60	0.3/0.6	0.3/0.6	0.6/1.0	25/20	25/20	25/20			4	0.3	A1
CMIFLA-2-4	10-1000	0.6/1.0	0.6/1.0	0.7/1.2	25/20	25/20	25/20			8	0.4	A1
CMIFLA-2-5	10-1400	0.3/0.6	0.6/1.0	0.9/1.6	18	17	17			8	0.4	A1
CMIFLA-2-11	10-2000	0.6/0.8	0.6/0.8	1.0/1.2	18/16	20/16	18/15			5	0.5	A1
CMIFLA4-2-1	0.1-450	0.3/0.5	0.4/0.75	0.6/1.0	20/15	30/20	30/20			4	0.3	A4
CMIFLA4-2-1S	2-650	0.3/0.5	0.6/0.8	0.8/1.2	20/18	30/20	22/20			4	0.3	A4
CMIFLA4-2-11	5-2000	0.6/0.8	0.6/0.8	1.0/1.2	18/15	18/15	18/15			5	0.4	A4
CMIFLB-2-1	1-400	0.3/0.6	0.3/0.7	0.8/1.0	30/25	30/25	25/20			4	0.6	B2
CMIFLB-2-2	0.01-100	0.3/0.6	0.3/0.7	0.8/1.0	25/20	25/20	20/18			4	0.4	B1
CMIFLE-2-1	0.5-600	0.2/0.4	0.3/0.4	0.7/1.0	25/20	25/20	25/20			6	0.5	E
CMIFLE-2-4	10-1000	0.4/0.8	0.6/1.0	0.7/1.2	25/20	25/20	20/18			6	0.5	E
CMIFLH-2-113	0.4-400	0.2/0.4	0.3/0.5	0.4/0.8	25	25	25			1	0.2	H1
CMIFLH-2-109	10-500	0.2/0.3	0.3/0.4	0.4/0.8	30/25					2	0.6	H1
CMIFLH-2-323	10-1000	0.2/0.6	0.4/0.7	0.6/1.0	25/20					3	0.6	H1
CMIFLH-2-313	20-2000	0.7/0.8	0.7/1.0	1.0/1.2	25/20					8	0.6	H1

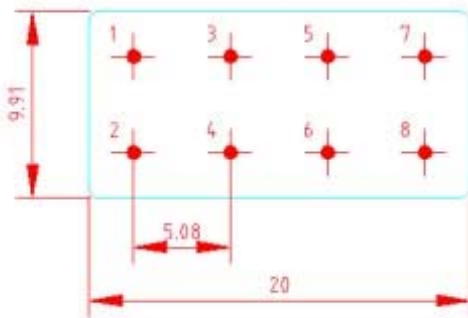
CALL OUR SALES DEPARTMENT FOR MORE INFORMATION OR VARIATIONS OF THIS PRODUCT.

Corry Micronics, Inc. One Plastics Rd. - Corry, PA 16407
(814) 664-7728 Fax (814) 664-4582 www.cormic.com

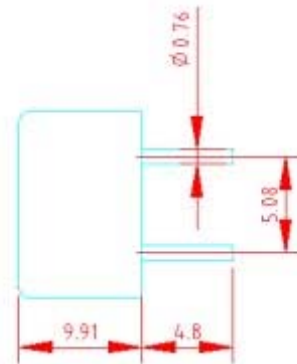
Corry Micronics Inc. herein referred to CMI, believes this information to be accurate, but makes no warranties, expressed or implied as to the accuracy of this document. CMI assumes no liability for any injury, loss, damage, direct or consequential arising from the use of our products. User assumes all risk whatsoever in connection with it's intended use. CMI also reserves the right to change this document without notice.

Pin Connections:

Model No.	Sum Port	Port 1	Port 2	Gnd Ext.
CMIFLA	1	5	6	2,3,4,7,8
CMIFLB	1	2	4	3
CMIFLE	2	1	3	4
CMIFLH	8	5	4	1,2,3,6,7



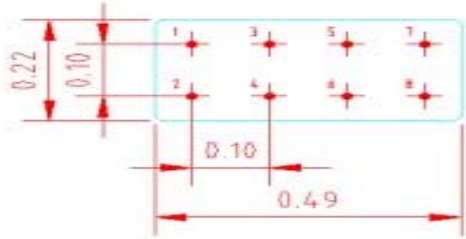
A1



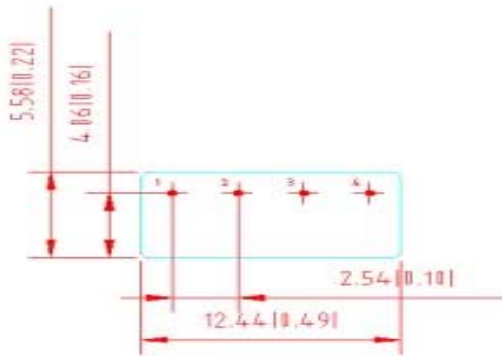
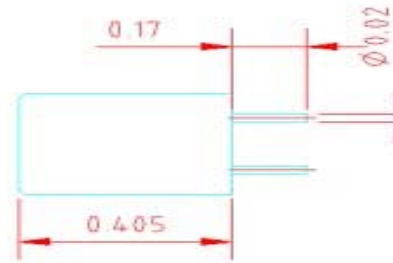
CALL OUR SALES DEPARTMENT FOR MORE INFORMATION OR VARIATIONS OF THIS PRODUCT.

**Corry Micronics, Inc. One Plastics Rd. - Corry, PA 16407
(814) 664-7728 Fax (814) 664-4582 www.cormic.com**

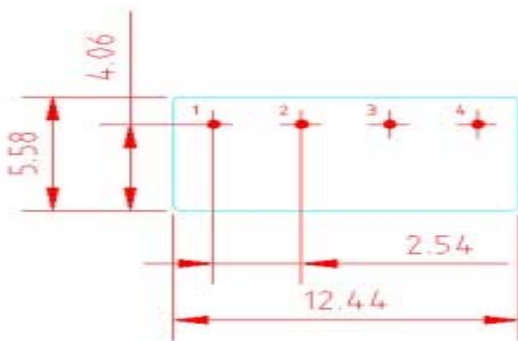
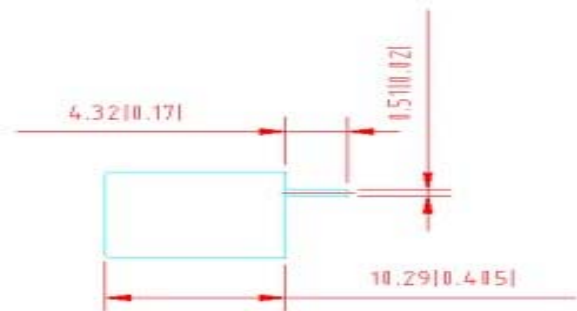
Corry Micronics Inc. herein referred to CMI, believes this information to be accurate, but makes no warranties, expressed or implied as to the accuracy of this document. CMI assumes no liability for any injury, loss, damage, direct or consequential arising from the use of our products. User assumes all risk whatsoever in connection with it's intended use. CMI also reserves the right to change this document without notice.



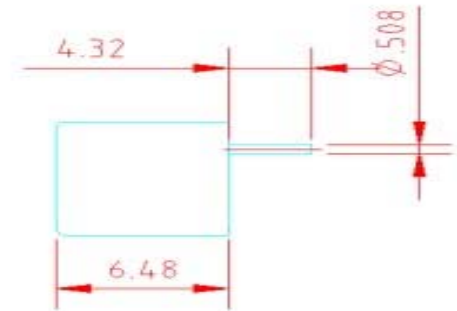
A4



B1



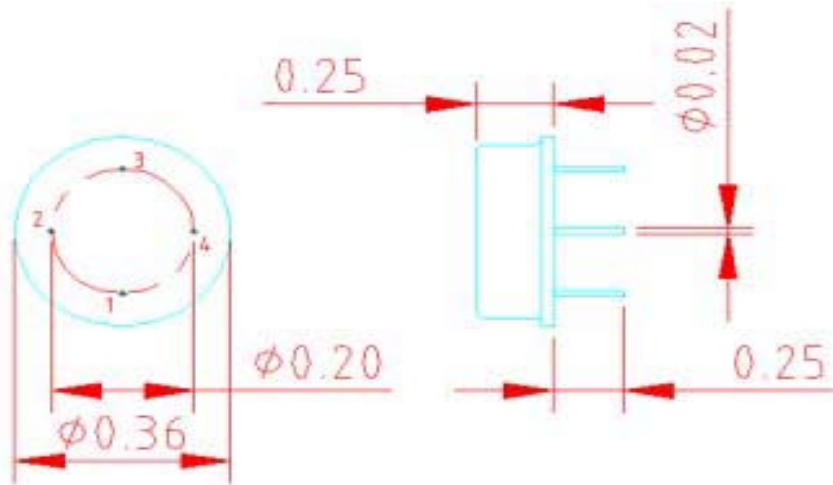
B2



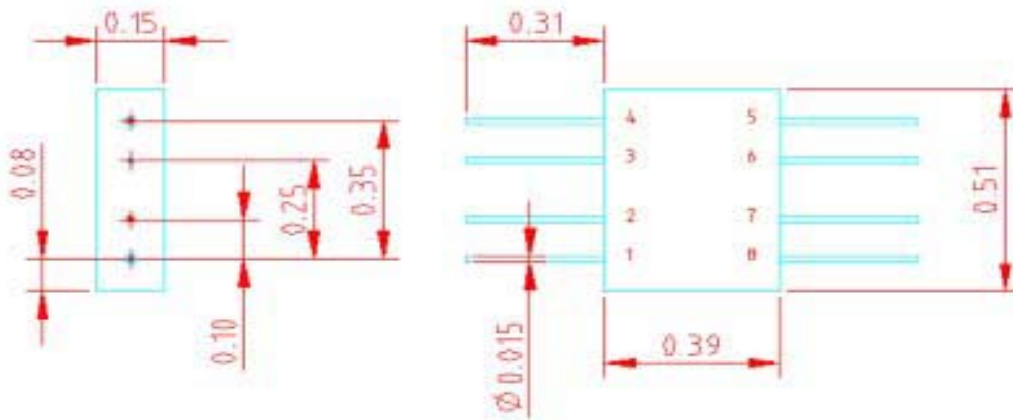
CALL OUR SALES DEPARTMENT FOR MORE INFORMATION OR VARIATIONS OF THIS PRODUCT.

**Corry Micronics, Inc. One Plastics Rd. - Corry, PA 16407
(814) 664-7728 Fax (814) 664-4582 www.cormic.com**

Corry Micronics Inc. herein referred to CMI, believes this information to be accurate, but makes no warranties, expressed or implied as to the accuracy of this document. CMI assumes no liability for any injury, loss, damage, direct or consequential arising from the use of our products. User assumes all risk whatsoever in connection with it's intended use. CMI also reserves the right to change this document without notice.



E



(4,5,8 as glass insulator Pin)

H1

CALL OUR SALES DEPARTMENT FOR MORE INFORMATION OR VARIATIONS OF THIS PRODUCT.

**Corry Micronics, Inc. One Plastics Rd. - Corry, PA 16407
(814) 664-7728 Fax (814) 664-4582 www.cormic.com**

Corry Micronics Inc. herein referred to CMI, believes this information to be accurate, but makes no warranties, expressed or implied as to the accuracy of this document. CMI assumes no liability for any injury, loss, damage, direct or consequential arising from the use of our products. User assumes all risk whatsoever in connection with it's intended use. CMI also reserves the right to change this document without notice.

0° Power Splitters/Combiners 50Ω/75Ω Coaxial

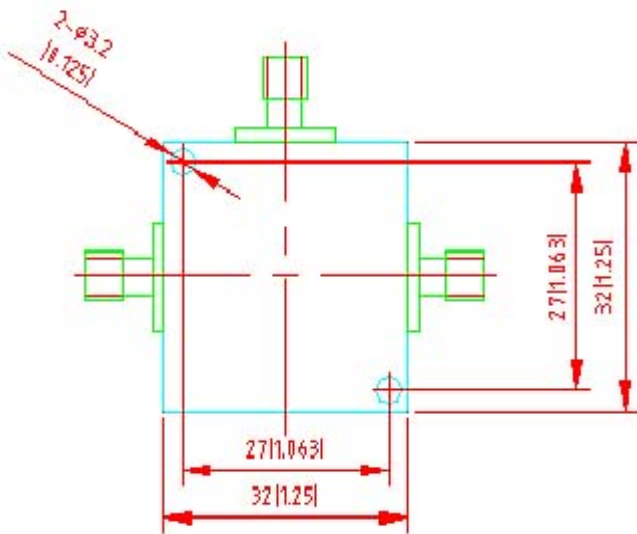
2Way												
Model No.	Freq. Range (MHz) fL-fU	Insertion Loss (dB)			Isolation (dB)			(VSWR)		Unbalance		Case Style
		L	M	U	L	M	U	Max		Phase	Amp	
		Typ/Ma	Typ/Ma	Typ/Ma	Typ/Min	Typ/Min	Typ/Min	In	Out	(°) Max	(dB) Max	
CMIFLT-2-1	5-500	0.2/0.5	0.3/0.6	0.6/0.8	35/25	28/20	25/20			4	0.3	T12-3
**CMIFLT-2-1-75	0.25-300	0.4/0.75	0.4/0.75	0.4/1.0	25/20	30/25	25/20			5	0.3	T12-3
**CMIFLT-2-1W-75	5-600	0.2/0.6	0.3/0.7	0.5/0.9	40/25	40/30	30/20			3	0.4	T12-3
CMIFLT-2-1W	1-750	0.2/0.5	0.4/0.8	0.8/1.0	30/20	25/20	23/18			4	0.3	T12-3
CMIFLT-2-2	10-1000	0.2/0.5	0.5/0.8	0.8/1.0	25/20	25/20	20/11			4	0.3	T12-3
CMIFLT-2-11	10-2000	0.5/0.9	0.5/1.0	0.6/1.0	19/10	18/13	20/11			6	0.5	T12-3
CMIFLT-2-11V	10-2000	0.5/0.9	0.5/1.0	0.6/1.0	19/10	18/13				62	0.5	T14

** For 75Ω transmission line

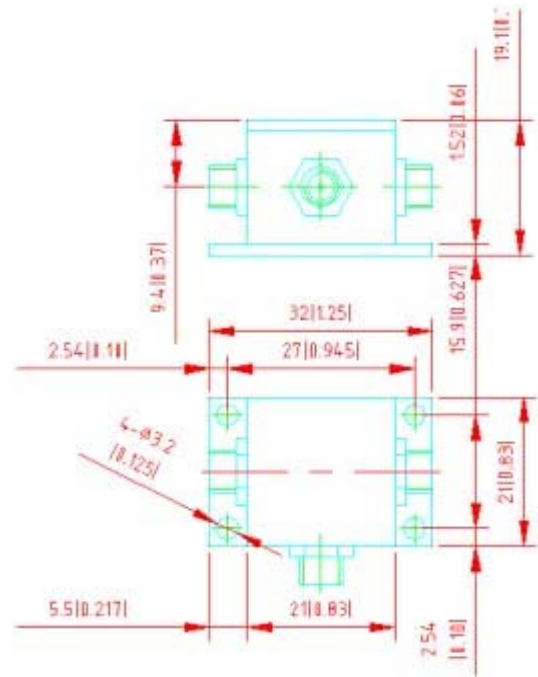
CALL OUR SALES DEPARTMENT FOR MORE INFORMATION OR VARIATIONS OF THIS PRODUCT.

**Corry Micronics, Inc. One Plastics Rd. - Corry, PA 16407
(814) 664-7728 Fax (814) 664-4582 www.cormic.com**

Corry Micronics Inc. herein referred to CMI, believes this information to be accurate, but makes no warranties, expressed or implied as to the accuracy of this document. CMI assumes no liability for any injury, loss, damage, direct or consequential arising from the use of our products. User assumes all risk whatsoever in connection with it's intended use. CMI also reserves the right to change this document without notice.



T12-3



T14

CALL OUR SALES DEPARTMENT FOR MORE INFORMATION OR VARIATIONS OF THIS PRODUCT.

**Corry Micronics, Inc. One Plastics Rd. - Corry, PA 16407
(814) 664-7728 Fax (814) 664-4582 www.cormic.com**

Corry Micronics Inc. herein referred to CMI, believes this information to be accurate, but makes no warranties, expressed or implied as to the accuracy of this document. CMI assumes no liability for any injury, loss, damage, direct or consequential arising from the use of our products. User assumes all risk whatsoever in connection with it's intended use. CMI also reserves the right to change this document without notice.