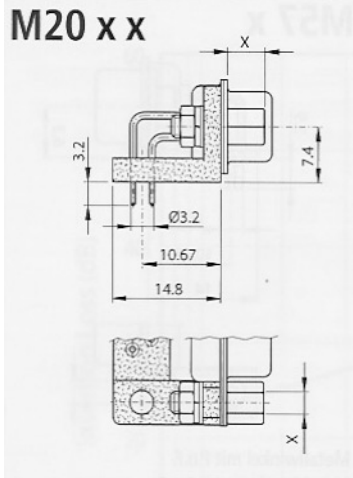
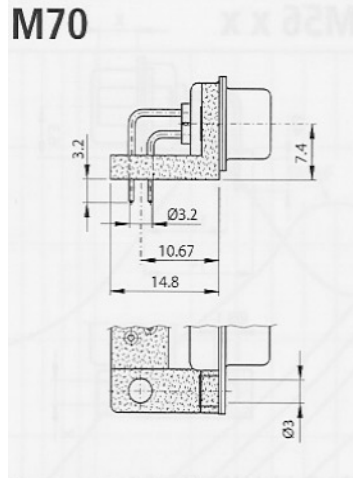


# CORRY Micronics

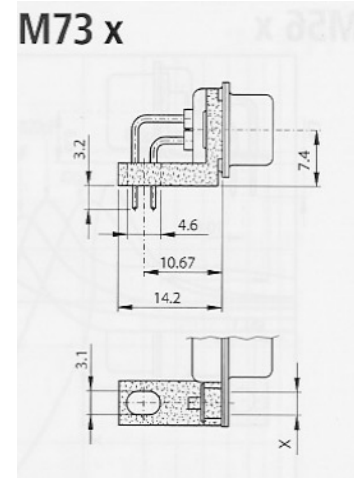
## Assemblies (FT) Mounting Height 7.4



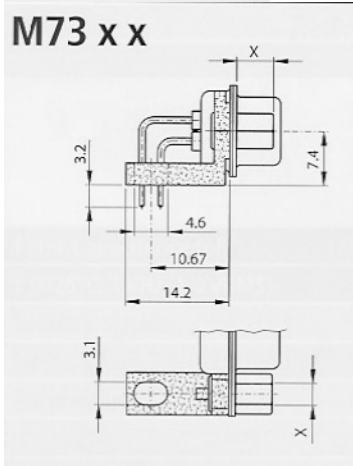
UN B5 Screw  
UNC4-40 5 mm  
UN B6 Screw  
UNC4-40 6 mm  
M3 B5 Screw  
M3 5 mm  
M3 B6 Screw  
M3 6 mm



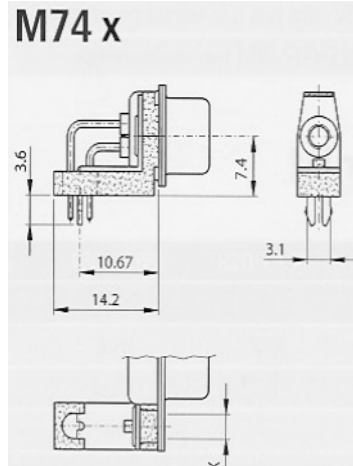
M70 Rivet 3.1 mm



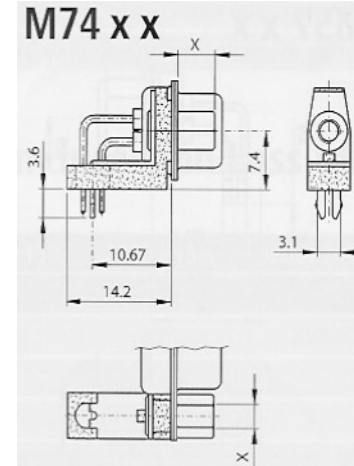
UN Back Nut UNC4-40  
M3 Back Nut M3



UN B5 Back Nut UNC4-40  
Screw 5 mm  
UN B6 Back Nut UNC4-40  
Screw 6 mm  
M3 B5 Back Nut M3  
Screw 5 mm  
M3 B6 Back Nut  
Screw 6 mm



UN Front Nut UNC4-40  
M3 Front Nut M3



UN B5 Back Nut UNC4-40  
Screw 5 mm  
UN B6 Back Nut UNC4-40  
Screw 6 mm  
M3 B5 Back Nut M3  
Screw 5 mm  
M3 B6 Back Nut M3  
Screw 6 mm