

D-Combi Einpresstechnik gerade

Gedrehte Kontakte / 20 Ampere

D-Combi Press-Fit technology straight

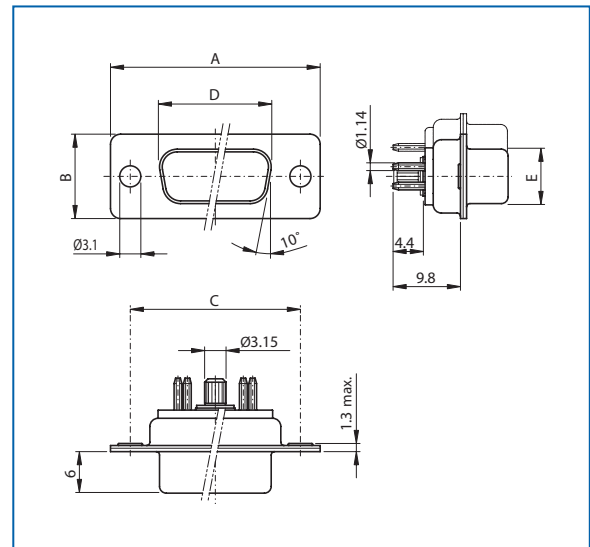
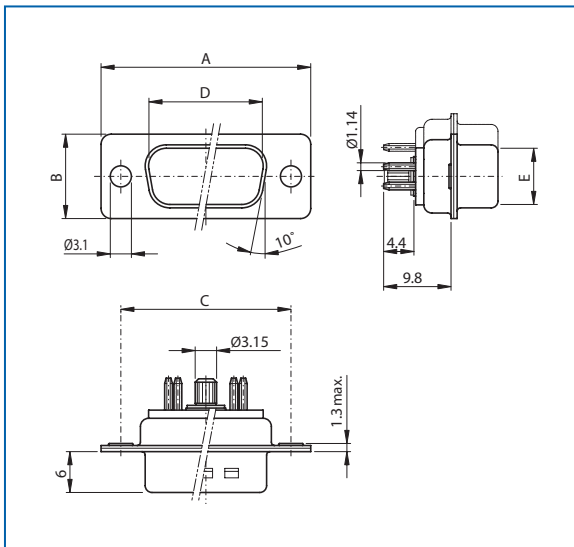
Machined contacts / 20 AMP

Stiftleiste

Plug connector

Buchsenleiste

Socket connector



Gehäusegrösse

Shell size	A	B	C	D	E
DE	30.80	12.40	25.00	16.79	08.23
DA	39.20	12.40	33.30	25.12	08.23
DB	53.10	12.40	47.00	38.84	08.23
DC	69.50	12.40	63.50	55.30	08.23
DD	67.00	15.40	61.10	52.68	10.95

Gehäusegrösse

Shell size	A	B	C	D	E
DE	30.80	12.40	25.00	16.46	08.02
DA	39.20	12.40	33.30	24.79	08.02
DB	53.10	12.40	47.00	38.50	08.02
DC	69.50	12.40	63.50	54.96	08.02
DD	67.00	15.40	61.10	52.55	10.87





Polzahl	Sonderkontakte	Gehäuse chromatiert, Stift	Gehäuse chromatiert, Buchse
No. of pos.	Special contacts	Chromated shell, plug	Chromated shell, socket
05	1	DT 5W1 P PFF/PFR x	DT 5W1 S PFF/PFR x
02	2	* DT 2W2 PS PFR x	* DT 2W2 SP PFR x
03	3	DT 3W3 P PFR x	DT 3W3 S PFR x
03	3	DT 3W3 PSP PFR x	DT 3W3 SPS PFR x
07	2	DT 7W2 P PFF/PFR x	DT 7W2 S PFF/PFR x
11	1	DT 11W1 P PFF/PFR x	DT 11W1 S PFF/PFR x
05	5	DT 5W5 P PFR x	DT 5W5 S PFR x
09	4	DT 9W4 P PFF/PFR x	DT 9W4 S PFF/PFR x
13	3	DT 13W3 P PFF/PFR x	DT 13W3 S PFF/PFR x
17	2	DT 17W2 P PFF/PFR x	DT 17W2 S PFF/PFR x
21	1	DT 21W1 P PFF/PFR x	DT 21W1 S PFF/PFR x
08	8	DT 8W8 P PFR x	DT 8W8 S PFR x
13	6	DT 13W6 P PFF/PFR x	DT 13W6 S PFF/PFR x
17	5	DT 17W5 P PFF/PFR x	DT 17W5 S PFF/PFR x
21	4	DT 21WA4 P PFF/PFR x	DT 21WA4 S PFF/PFR x
25	3	DT 25W3 P PFF/PFR x	DT 25W3 S PFF/PFR x
27	2	DT 27W2 P PFF/PFR x	DT 27W2 S PFF/PFR x
24	7	DT 24W7 P PFF/PFR x	DT 24W7 S PFF/PFR x
36	4	DT 36W4 P PFF/PFR x	DT 36W4 S PFF/PFR x
43	2	DT 43W2 P PFF/PFR x	DT 43W2 S PFF/PFR x
Polzahl	Sonderkontakte	Gehäuse verzinnt, Stift	Gehäuse verzinnt, Buchse
No. of pos.	Special contacts	Tinned shell, plug	Tinned shell, socket
05	1	DTS 5W1 P PFF/PFR x	DTS 5W1 S PFF/PFR x
02	2	* DTS 2W2 PS PFR x	* DTS 2W2 SP PFR x
03	3	DTS 3W3 P PFR x	DTS 3W3 S PFR x
03	3	DTS 3W3 PSP PFR x	DTS 3W3 SPS PFR x
07	2	DTS 7W2 P PFF/PFR x	DTS 7W2 S PFF/PFR x
11	1	DTS 11W1 P PFF/PFR x	DTS 11W1 S PFF/PFR x
05	5	DTS 5W5 P PFR x	DTS 5W5 S PFR x
09	4	DTS 9W4 P PFF/PFR x	DTS 9W4 S PFF/PFR x
13	3	DTS 13W3 P PFF/PFR x	DTS 13W3 S PFF/PFR x
17	2	DTS 17W2 P PFF/PFR x	DTS 17W2 S PFF/PFR x
21	1	DTS 21W1 P PFF/PFR x	DTS 21W1 S PFF/PFR x
08	8	DTS 8W8 P PFR x	DTS 8W8 S PFR x
13	6	DTS 13W6 P PFF/PFR x	DTS 13W6 S PFF/PFR x
17	5	DTS 17W5 P PFF/PFR x	DTS 17W5 S PFF/PFR x
21	4	DTS 21WA4 P PFF/PFR x	DTS 21WA4 S PFF/PFR x
25	3	DTS 25W3 P PFF/PFR x	DTS 25W3 S PFF/PFR x
27	2	DTS 27W2 P PFF/PFR x	DTS 27W2 S PFF/PFR x
24	7	DTS 24W7 P PFF/PFR x	DTS 24W7 S PFF/PFR x
36	4	DTS 36W4 P PFF/PFR x	DTS 36W4 S PFF/PFR x
43	2	DTS 43W2 P PFF/PFR x	DTS 43W2 S PFF/PFR x

Anstelle des x am Ende der Artikelbezeichnung
die gewünschte Güteklasse 1 oder 2 einfügen.
Andere Vergoldungen auf Anfrage.

To request class 1 or 2 quality, replace the x at
the end of the part no.
Other gold plating on request.

Montagen am Ende des Kapitels
Assemblies at the end of the chapter